



TruWood[®]
SIDING

TRUWOOD BEVELED EDGE LAP SIDING

Tru curb appeal. Tru quality. Tru character. It's all yours with TruWood 7/16 in Lap Siding. Designed with our popular Old Mill[®] textured surface and engineered for less waste, our Beveled Edge Lap Siding has the look of cedar without checks, cracks or surface variations. Paint goes on smoothly and uniformly. You get the look of high-quality cedar without the defects, hassles or high cost. And you achieve an authentic wood appearance that gives Mother Nature a run for her money. Truly amazing.

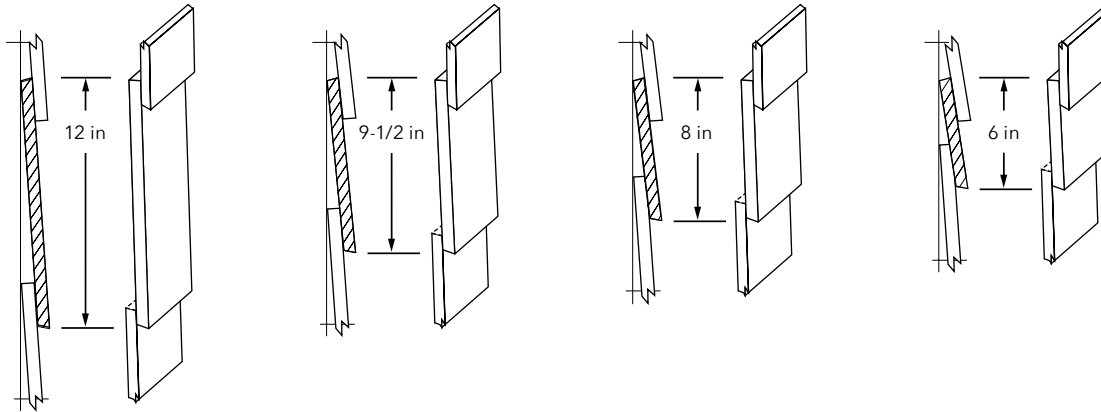
FEATURES/BENEFITS

- Quality engineered surface and core
- 30-year limited warranty
- Pre-primed for improved weatherability
- 16 ft lengths
- Matching reversible TruWood Trim
- Installs 25-40% faster than cement or vinyl sidings
- Use for residential single-family and multi-family housing, remodeling and light commercial projects
- Ask us about our FSC[®] products



- Endures extreme weather conditions in the toughest climates
- Resists mildew, rot and termite damage
- Naturally-occurring additive safe for use around children and pets

BEVELED EDGE 7/16 in LAP SIDING



SPECIFICATIONS:

Lap Size	Pc/ Unit	Pc/ Bundle	Bundles/ Unit	Sq. Ft./ Unit	Maximum Exposure in inches	Approx. Coverage Sq. Ft./ Unit	Sq. Ft. Needed To Cover 1,000 Sq. Ft. of Wall Area*	Approx. Weight Lbs./Unit
7/16 in x 6 in x 16 ft	336	6	56	2,688	5	2,128	1,264	4,675
7/16 in x 8 in x 16 ft	252	6	42	2,688	7	2,234	1,200	4,675
7/16 in x 9-1/2 in x 16 ft	210	6	35	2,660	8-1/2	2,261	1,173	4,675
7/16 in x 12 in x 16 ft	168	6	28	2,688	11	2,341	1,145	4,675

*Allows for a 1 in overlap and assumes a 5% waste factor.

Selection

Lap Size	Surface Texture
7/16 in x 6 in x 16 ft	Old Mill®
7/16 in x 8 in x 16 ft	Old Mill®
7/16 in x 9-1/2 in x 16 ft	Old Mill®
7/16 in x 12 in x 16 ft	Old Mill®

TruWood Siding and Trim meet the requirements of the following:

2015 International Building Code
 2015 International Residential Code
 ICC ESR-2588
 Federal Manufactured Housing Standards
 American National Standard ANSI-CPA 135.6 - 2015
 California Wildland-Urban Interface (WUI)

CAL. PROP 65 WARNING: Use of this product may result in exposure to wood dust, known to the State of California to cause cancer.

Fire rating = Class C, R Value = 0.67 (hour) (Sq. Ft.) (Fahrenheit) per BTU
 The approximate weight: 7/16 in Lap Siding = 1,750 Lbs./MSF
 TruWood Lap Siding is shipped 10-11 units per truckload and 40 units per railcar

FOR YOUR NEAREST DISTRIBUTOR, COMPLETE INSTALLATION INSTRUCTIONS, MAINTENANCE, SERVICE AND WARRANTY INFORMATION, GO TO TruWoodSiding.com. FOR LOCATIONS, CALL **800.417.3674** OR EMAIL truwood@collinsco.com.

